

# Super Cold Filter

Shortpass

Longpass

Bandpass

Neutral Density

Mercury Line Emission

Super Cold

Others

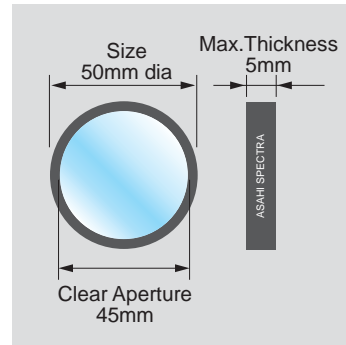
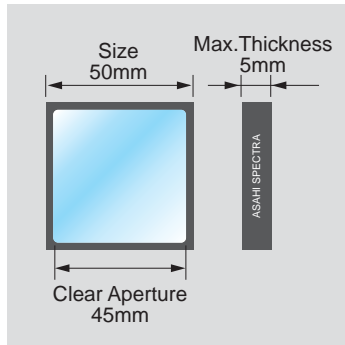
## Super Cold Filter

Super Cold Filter is heat-reflective type filter which has much better performance than a conventional heat-absorptive type filter.

They transmit VIS range effectively and there are small ripples in this range.

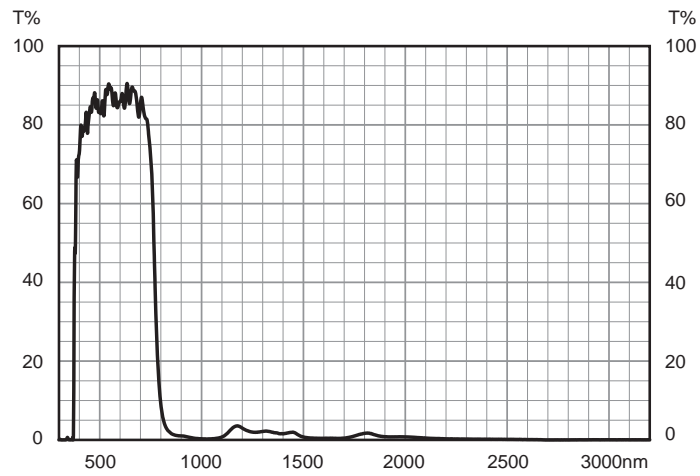
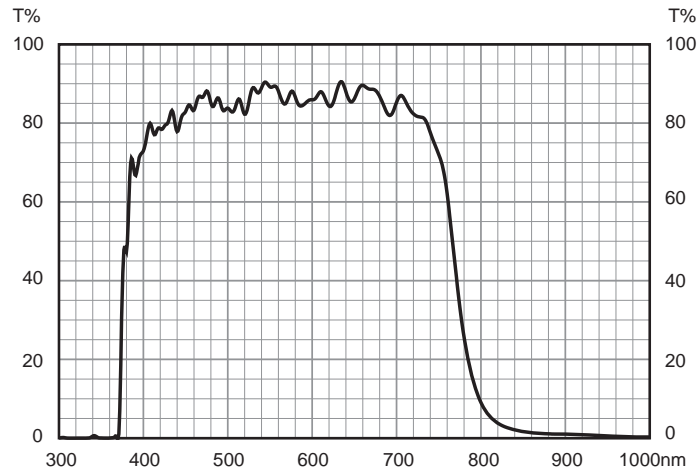
Even with high power light sources, the substrate will be less damaged, because they are made of fused silica.

We have 2 options, which are VIS transmitting type and VIS - NIR transmitting type.



Item Number	Transmittance Range (nm)	Ave. Transmittance (%)	Dimension (mm)	Substrate	Thickness (mm)
ZSC0750	400 - 700	70	50 x 50	Fused Silica	5
YSC0750			50 diameter		
ZSC1100	400 - 1000	70	50 x 50	Fused Silica	5
YSC1100			50 diameter		

ZSC0750  
YSC0750



Shortpass

Longpass

Bandpass

Neutral Density

Mercury Line Emission

Super Cold

Others

Shortpass

Longpass

Bandpass

Neutral Density

Mercury Line Emission

Super Cold

Others

ZSC1100  
YSC1100

